

X2B $\leq 5\%RH$ Dry Cabinet ($\pm 3\%RH$)

Features:

- X2B provides environment of $\leq 5\%RH$ that complies with J-STD-033C for storing Moisture Sensitive Devices(MSD).
- No need to do extra setting for the machine. Just plug and play!
- Bins(optional) are for classification and archiving that can save energy searching for items and avoiding mistakes.
- Relative humidity and Temperature data of interior cabinet can be acquired by data logger GT-04.
- The Calibration Reminding System(CRS) will remind the user when the machine runs over 365 days that the relative humidity and temperature sensors need re-calibration to comply with ISO regulation.
- Flash and Buzzer alarm will alert when the relative humidity or temperature exceeds the preset alarm value.

Applications:

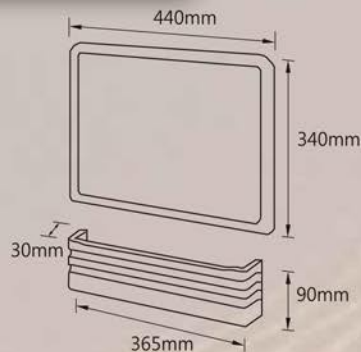
- X2B type is especially suitable for storing electrical components, biological testing agent, PCB boards and pharmacy...etc.

Function of Bins:

- 1.Classification:** Different doors can be classified by project, work sheet, order, client, component, storage life, expiration date or operator ...etc.
- 2.Retrieving:** Small components are stored in bins inside the door and the parts can be retrieved quickly to avoid opening the doors frequently.
- 3.Archiving:** ISO documents such as work sheet, order, memo or quality instructions...etc. can be put in bins outside the door for better QA management.



Bin(optional)



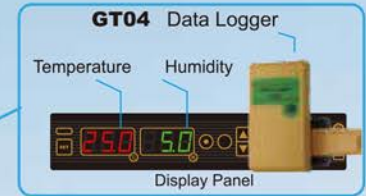
Bins can be installed or replaced within 10 seconds.
Maximum loading of bin: 5kgs



Bin is inside the door.



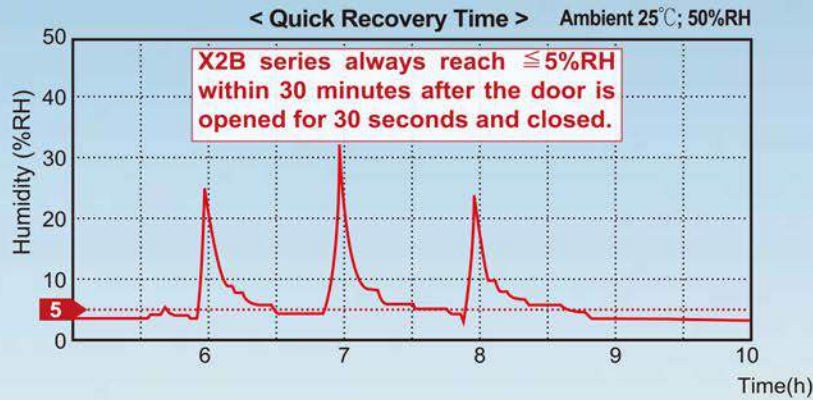
Bin is outside the door.



X2B-1200-6

Capacity: 1250L Shelves: 5 shelves
 Outside Dimension: W1200xD672xH1815mm
 Internal Dimension: W1198xD642xH1625mm
 Power Consumption: Max.585W ; Ave.105Wh
 * Bins are optional

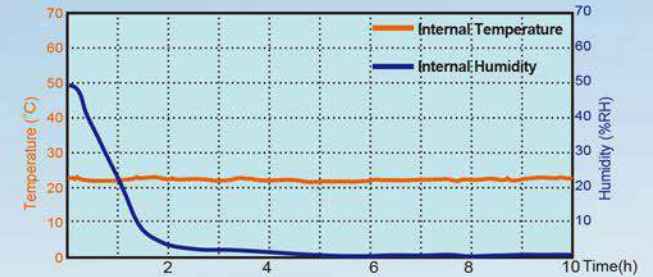
X2B $\leq 5\%RH$ Dry Cabinet ($\pm 3\%RH$)



The history data acquired by GT04 can be drawn using software Humidity Manager V3-GT.



Data Logger **GT04**



X2B-200

Capacity: 202L
Shelves: 2 shelves
Outside Dimension: W600xD672xH632mm
Internal Dimension: W598xD642xH525mm
Power Consumption: Max.295W ; Ave.55Wh



X2B-400

Capacity: 413L
Shelves: 3 shelves
Outside Dimension: W600xD672xH1275mm
Internal Dimension: W598xD642xH1070mm
Power Consumption: Max.295W ; Ave.55Wh



X2B-600

Capacity: 624L
Shelves: 5 shelves
Outside Dimension: W600xD672xH1815mm
Internal Dimension: W598xD642xH1625mm
Power Consumption: Max.295W ; Ave.55Wh



X2BS-1200-6 (Made of Stainless Steel)

Capacity: 1250L
Shelves: 5 shelves
Outside Dimension: W1200xD672xH1815mm
Internal Dimension: W1198xD642xH1625mm
Power Consumption: Max.585W ; Ave.105Wh