

Natural Convection Oven

정온건조기



Features

- Fuzzy function to prevent overheat.
- Accurate temperature controls by Digital PID controller.
- Set time /temperature function.
- Controller select time scale (59 minute 59 second, 99 hour 59 minute, 99 day 23 hour).
- In case of temperature sensor disconnection, error message appear.
- Alarm rings when timer end.
- In case of difference between real temperature and appeared temperature, user can adjust correctly.
- When controller setting value is changed by the mistake of operation, save and recall function can restore it early.
- User can adjust temperature not to raise up certain degree from installed temperature.
- Threefold tempered safety glass windows for excellent insulation and easy observation.
- Buffering device to enhance door adherence for insulation.
- Upper vent to emit moist and gas of samples after evaporation.
- STS #304 used in inside chamber for durability.
- Circuit breaker for electrical safety.

Specifications

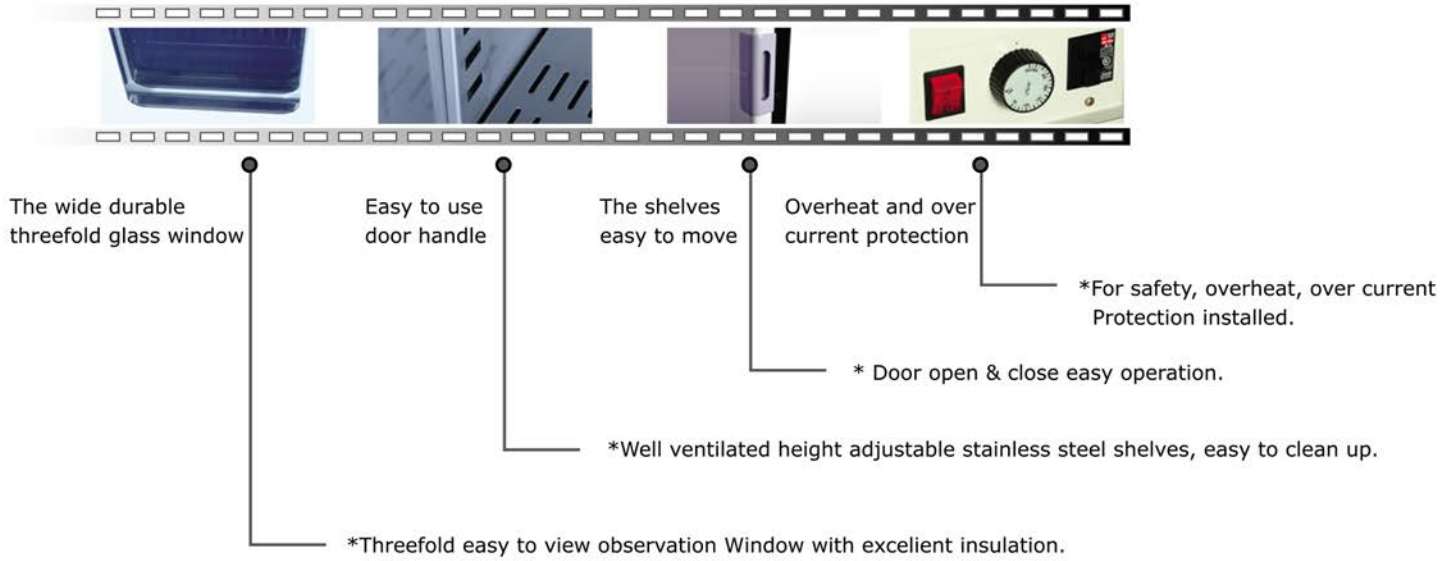
Made in Korea

Spec. / Model	DO-42	DO-81	DO-150	
Type	1 door			
Convection Type	Natural convection			
Temp	Range	Max 250 °C		
	Controller	Digital PID Controller		
Size	Internal (W x D x H, mm)	350x350x350	450x400x450	600x500x500
	External (W x D x H, mm)	520x525x770	620x575x870	770x675x920
Safety	Electrical	ELB(Earth Leakage Circuit Breaker)		
		Over Temp limiter.		
Material	Internal	Stainless steel (#304)		
	External	Steel, Powder coating		
	Shelves (W x D, mm)	STS #304 Wire Electro-Polished		
		327x300, 2ea	427x350, 2ea	577x450, 3ea
	Heater	Sheath heater		
	Insulation	Ceramic wool+ Glass wool		
	Door Packing	High Temp. grade foamed silicone rubber		
Windows	Tempered safety glass, Three fold			
Electric Requirements	220VAC. 50/60Hz			
Power Consumption	800W	1200W	1500W	

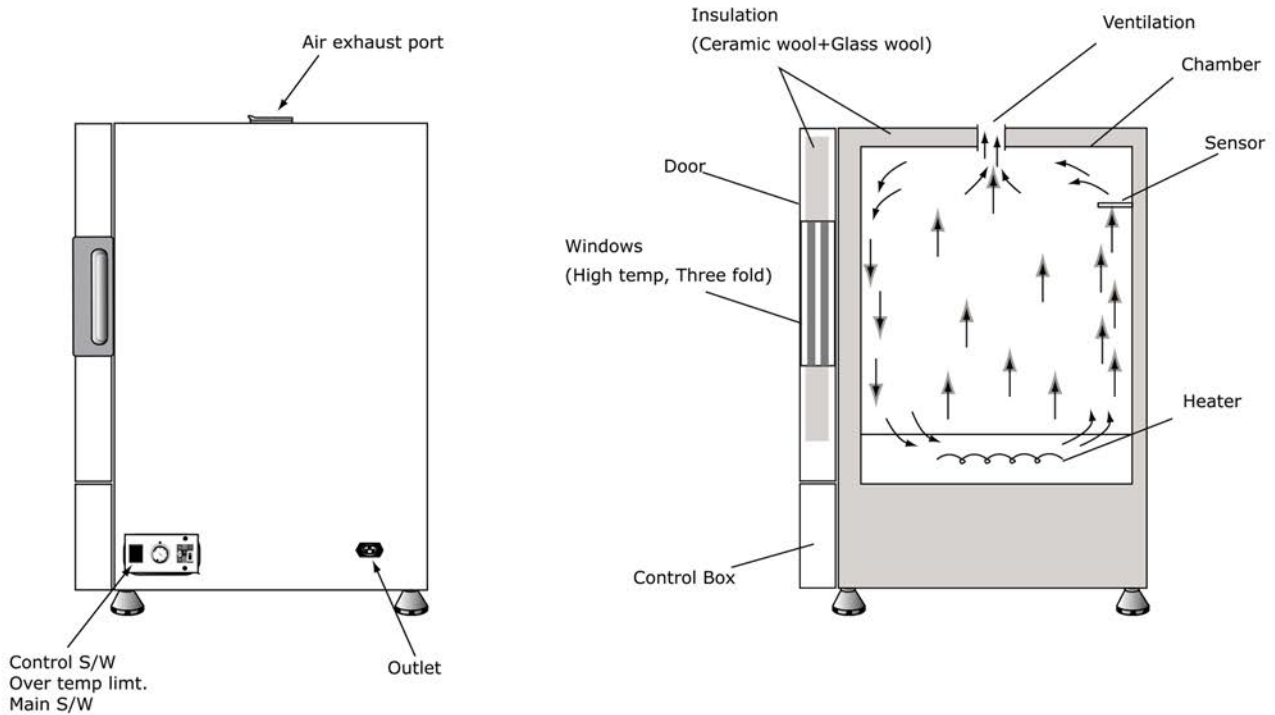
Natural Convection Oven

정온건조기

Distinction



Structure



SciLution

บริษัท ไซลิวชัน จำกัด Scilution Co., Ltd.

Tel : 02 964 8018 | Line ID : @scilution

www.scilution.co.th / www.scilution.net / www.scilution.com