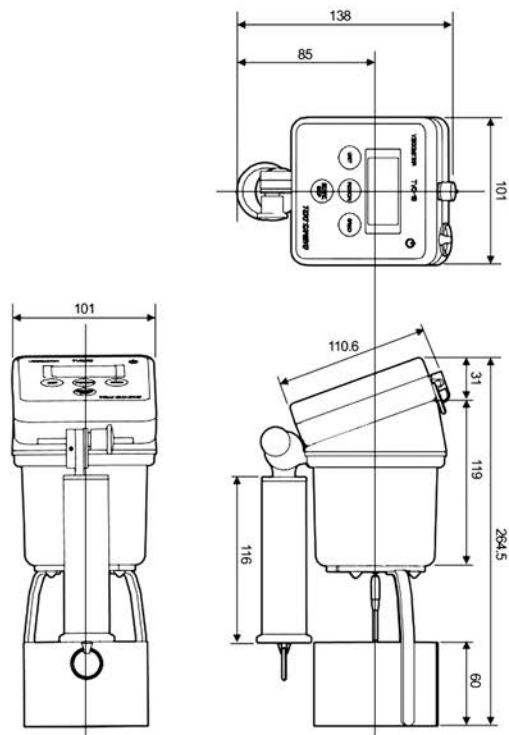


# Handy type Model TVC-10 Viscometer



# Easy on-site viscosity measurement

## Compact, Light, Useful Model



### Measurement Upper Limit Value

Rotor	Speed	20rpm	10rpm	5rpm
No.0		100 mPa·s	200 mPa·s	400 mPa·s
No.1		500 mPa·s	1000 mPa·s	2000 mPa·s
No.2		2.00 Pa·s	4.00 Pa·s	8.00 Pa·s
No.3		10.0 Pa·s	20.0 Pa·s	40.0 Pa·s
No.4		50.0 Pa·s	100.0 Pa·s	200.0 Pa·s
No.5		200 Pa·s	400 Pa·s	800 Pa·s

Lower limit is 10% of upper limit values.  
All rotors are options.

### Configurations

- Main body(Operation unit, Measurement unit)
- Instruction manual
- Operation unit / Measurement unit connection cable (1m)
- AA dry cell batteries x 4 pcs



The handy type Model TVC-10 rotary viscometer is compact, light and useful model. You can choose the measurement style according to the purpose, uses, situation.



**Handy type**

Compact and light weight (Power is four AA dry cell batteries)<sup>\*1</sup>

**Easy to see display**

Display viscosity value and full scale indicator

**Simple operation key**

UNIT · ROTOR · SPEED · START/STOP · 

**Variable rotation speed**

5/10/20rpm Wide range measurement compared to previous model

**Separate type**

Operation unit can be separated(using Specialized cable)

**Handle position can be changed.**

Four set position (0°, 45°, 90°, 135°)

# Specifications

Speed	5rpm/10rpm/20rpm
Accuracy	Less than $\pm 3\%$ of full scale (Rotor No.2,3,4) Less than $\pm 4\%$ of full scale (Rotor No.0,1,5)
Repeatability	Less than $\pm 2\%$ of full scale
Measurement value display	Viscosity value (mPa · s/Pa · s)/Percentage to the upper limit value (%), Rotation speed (rpm), Rotor code (No.) Status (During measurement, Low battery), Full scale indicator
Measurement units	SI units (mPa · s/Pa · s), % value displayed
Operating temperature range	5~40°C
Operating humidity range	Less than 90% RH (non-condensation)
Power	AA dry cell batteries x 4 pcs
Continuous operation time	Approx. 20 hours (at 25°C ambient temperature, with new alkaline batteries)
Wetted parts material	Stainless Steel
Case material	Molded PBT resin
Weight	Approx. 880g (including batteries, guard)

In case of being in need of AC adaptor, please prepare it according to below specifications.

- Specification of AC adaptor:
  - Output: 6V DC 100mA or more
  - DC Power jack name : EIJ-3(+pole pin diameter f 1.65, -pole hole diameter f 5.15)

\*Please do not use the AC adaptor without a CE marking.

- Electrical Certifications: CE

# Options

## ● Stand set



## ● Carrying Case



Use for storage, transport

## ● Rotor



Select according to desired measurement range.

\*1 The weight is 40% down (compared to previous model TVC-7)

\*Products specifications and design are subject to change or modification without notice.

**⚠ Warning** : do not operate equipment in flame or explosion-hazardous location.

**⚠ Caution relating to safety** : manual should be thoroughly read before use and equipment should be operated and handled in the prescribed correct manner.